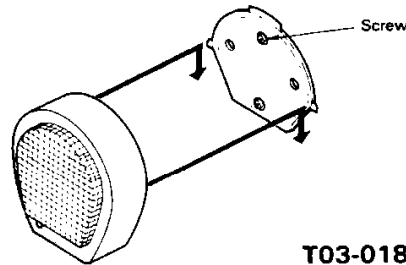
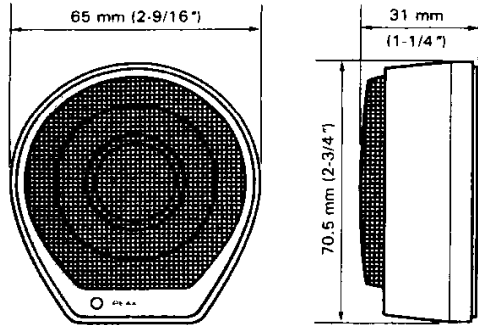


KENWOOD CAR AUDIO SPEAKER INFORMATION

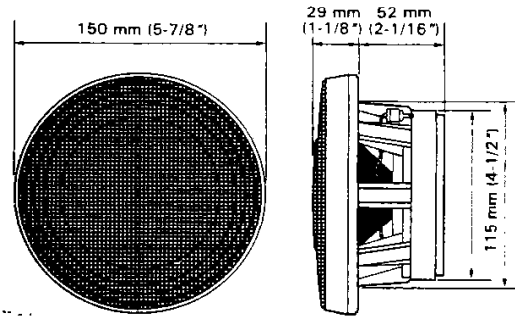
KFC-1010



T03-0182-05

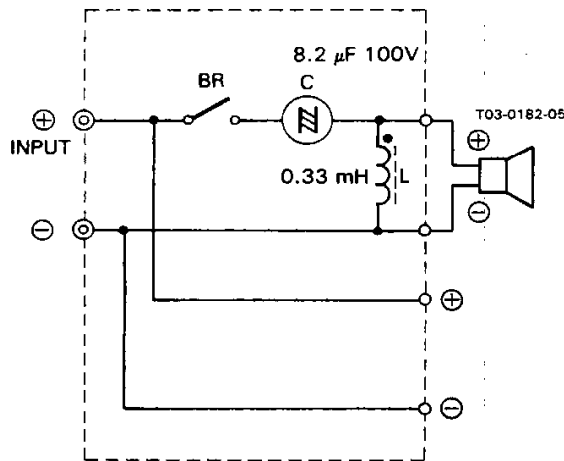
Q.C.
COPY

KFC-5050



T10-0261-00

CIRCUIT DIAGRAM



(Spare parts of this model are not stocked)

SPECIFICATIONS

— KFC-1010 —

Speaker unit	20 mm (3/4") Soft dome type
Impedance	4 ohms
Maximum input power	60 W
Suggested amplifier power	30 W
Sensitivity	85 dB/W at 1 m
Frequency response	3,000 Hz - 25,000 Hz
Recommended crossover	3,000 Hz or higher
Special features	Super heat proof ABS
Frame	One-touch slide-in
Indicator	High illumination LED (red)
Flux density	12,000 gauss
Dimensions	Diameter: 65 mm (2-9/16") Height: 31 mm (1-1/4")
Net weight	225 g (7.9 oz)
Crossover network (supplied)	12 dB/3,000 Hz
Impedance	4 ohms
Dimensions	(W) 90 mm (3-9/16 in.) (D) 60 mm (3-9/16 in.) (H) 30 mm (1-3/16 in.)
Net weight	85 g (3 oz)
Special features	Built-in auto reset over load protector

(Kenwood follows a policy of continuous advancements in development. For this reason specifications may be changed without notice.)

Accessories	
Screws	8
Mounting bracket	2

— KFC-5050 —

Speaker Unit	120 mm (5 in) Flat type
Impedance	4 ohms
Maximum input power	100 W
Suggested amplifier power	50 W
Sensitivity	85 dB/W at 1 m
Frequency response	55 Hz - 8,000 Hz
Flux Density	13,000 Gauss
Frame	Polybutylene terephthalate
Dimensions	Diameter: 150 mm (5-7/8") Height: 81 mm (3-3/16")
Net Weight	1.25 kg (2.8 lbs)

(Kenwood follows a policy of continuous advancements in development. For this reason specifications may be changed without notice.)

Accessories	
Screws	6
Speed nuts	6